

MINIMUM SPACE REQUIREMENTS FOR ENCLOSED PLUMBING FIXTURE SUPPORTS

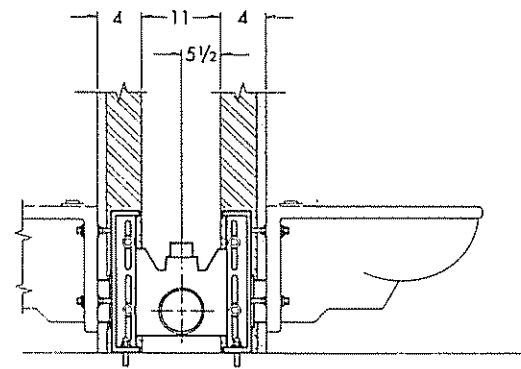
Horizontal Adjustable Carriers

Vertical Adjustable Carriers

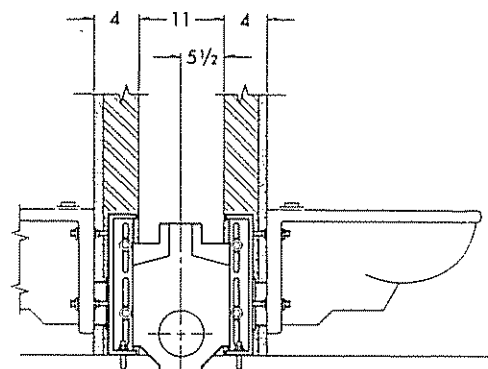
Vertical Fixed Carriers

Hanger Plate Carriers

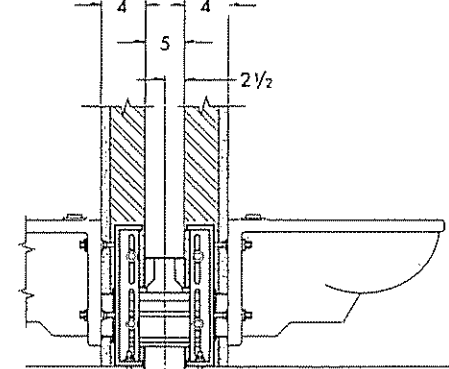
Arm Lavatory Carriers



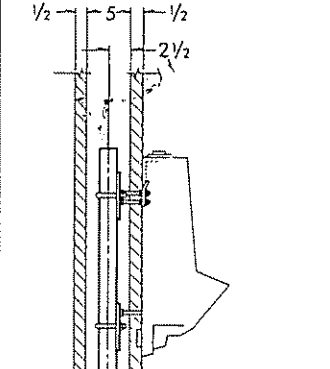
DOUBLE IN METAL STUD WALL



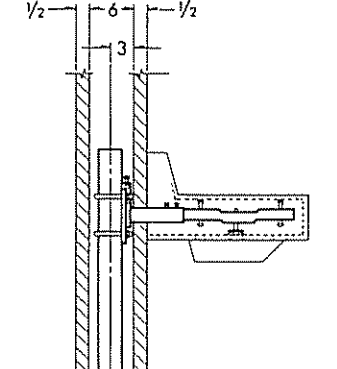
DOUBLE IN METAL STUD WALL



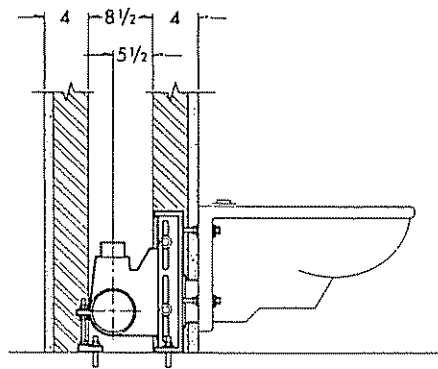
DOUBLE IN METAL STUD WALL



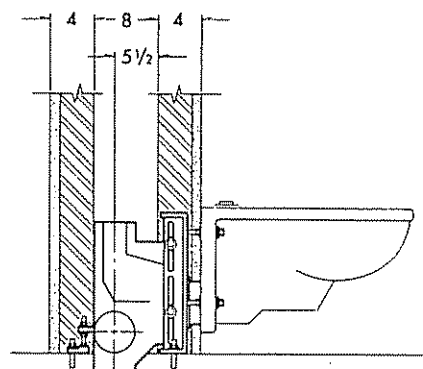
URINAL



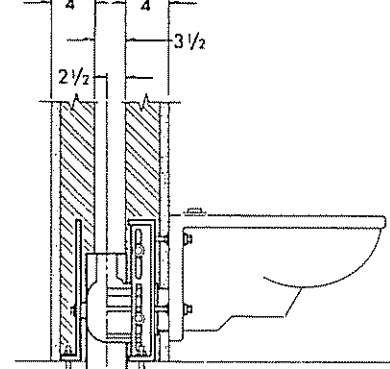
CONCEALED



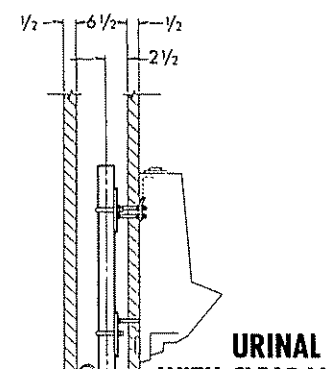
SINGLE IN METAL STUD WALL



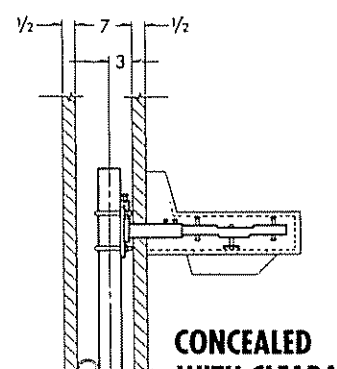
SINGLE IN METAL STUD WALL



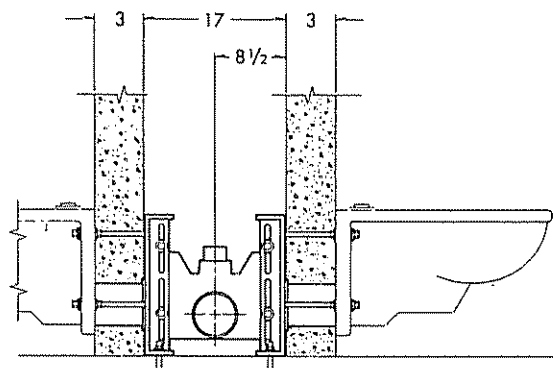
SINGLE IN METAL STUD WALL



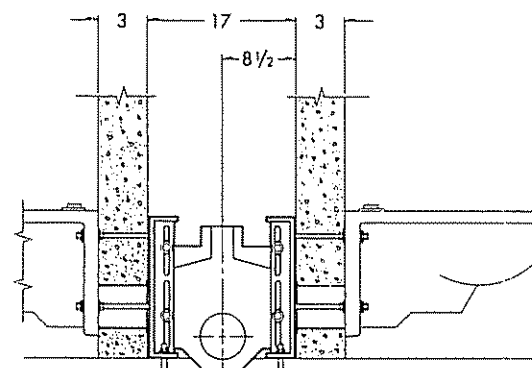
URINAL WITH CLEARANCE FOR WASTE PIPE



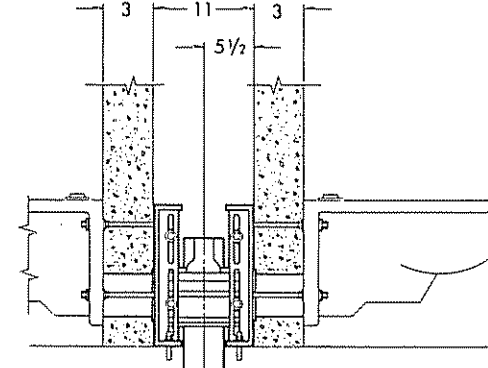
CONCEALED WITH CLEARANCE FOR WASTE PIPE



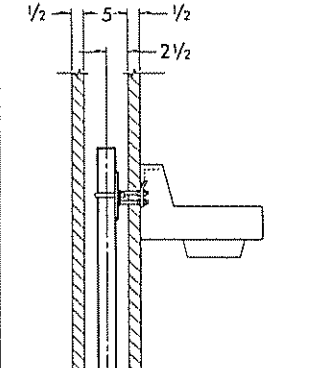
DOUBLE IN BLOCK WALL



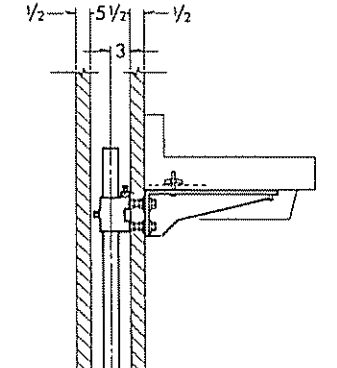
DOUBLE IN BLOCK WALL



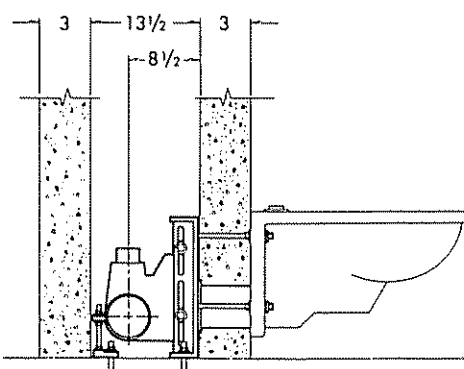
DOUBLE IN BLOCK WALL



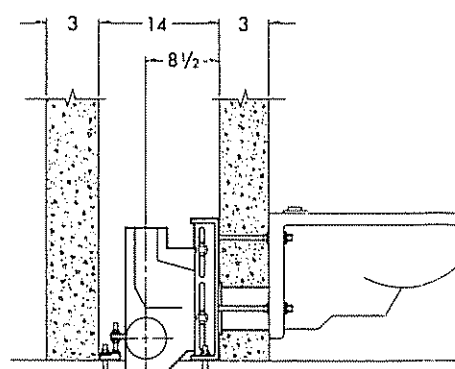
LAVATORY



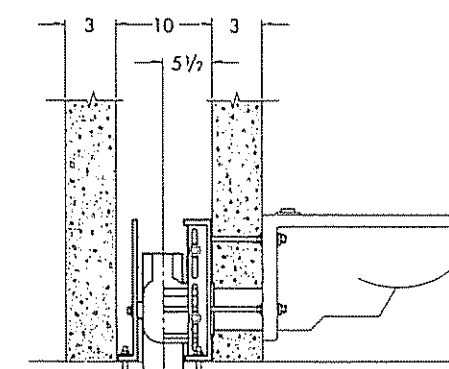
EXPOSED



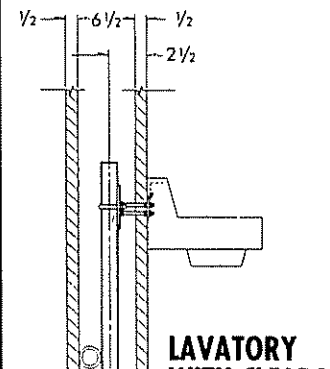
SINGLE IN BLOCK WALL



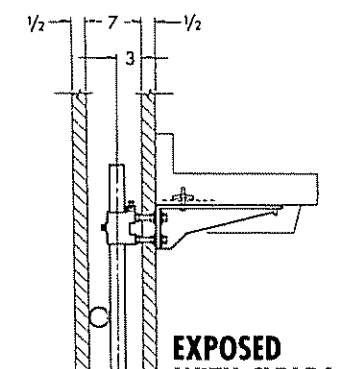
SINGLE IN BLOCK WALL



SINGLE IN BLOCK WALL



LAVATORY WITH CLEARANCE FOR WASTE PIPE



EXPOSED WITH CLEARANCE FOR WASTE PIPE